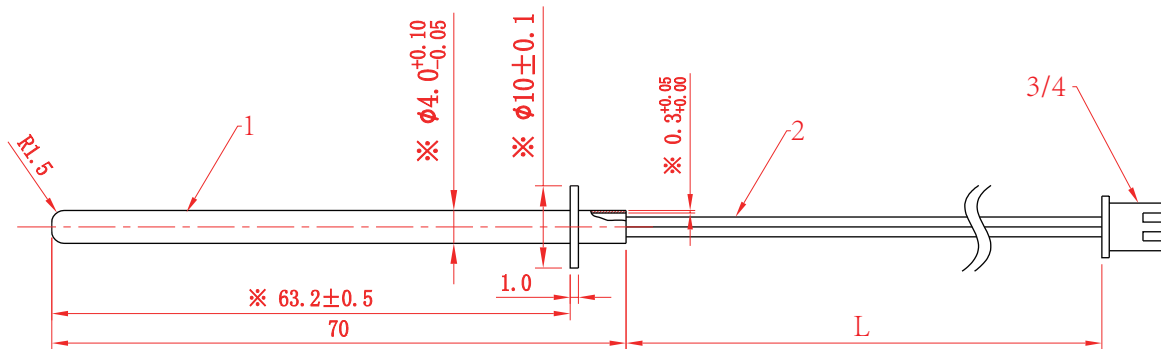


TEMPERATURE SENSOR PROBE SERIES

NTC Sensor -Probe Assembly with Flanged Housing

Model: GDSN10404402

The temperature sensor adopt NTC thermistor chips and encapsulated in a metal shell with epoxyresin, the sensor has high stability and fast response.Used for temperature measurement and control.



Product parameters	
1.Shell	Φ 10*70 Stainless steel
2.Wire	UL1332 26AWG Black
3.Connector Terminal	XH-T
4.Connector Terminal	XH-2Y

Electrical Specifications	
R(25)	100KΩ±1%
B(25/50)	3950K±1%
Operating temp.Range(°C)	-30 to +200°C
Response time in liquid	Max 10s
Insulation test	DC500V≥100MΩ 2s
Voltage withstand test	1500V AC 2mA 3S

Note: All parameters can be customized

FEATURES

- Good stability and high reliability
- High sensitivity and fast reaction speed
- Wide temperature range from -30 °C to +200 °C
- Wide resistance range: 5KΩ-500KΩ
- Resistant to corrosive atmospheres and harsh environments
- Convenient installation

DONGGUAN CITU GUANDE SENSOR TECHNOLOGY .,LTD

XiangYuan Road 7#, Shujiu village,ChangPing Town,Dongguan City,Guangdong Province, China

For more details, contact: sales1@chinagoode.com sales_cai@chinagoode.com

NTC THERMISTOR SERIES

High accuracy / Stable performance / Quick response

R25=100K Ω \pm 1% B25/50=3950K \pm 1%

Temp. (deg. C)	Rnor (k Ohms)	Temp. (deg. C)	Rnor (k Ohms)	Temp. (deg. C)	Rnor (k Ohms)	Temp. (deg. C)	Rnor (k Ohms)
-30	1787.9797	5	254.2428	40	53.1635	75	14.6251
-29	1679.6017	6	241.9877	41	51.0651	76	14.1417
-28	1578.5061	7	230.394	42	49.0602	77	13.6764
-27	1484.1584	8	219.4224	43	47.1443	78	13.2286
-26	1396.0662	9	209.0361	44	45.313	79	12.7976
-25	1313.7754	10	199.2007	45	43.5621	80	12.3825
-24	1236.8685	11	189.8841	46	41.8878	81	11.9828
-23	1164.9598	12	181.0559	47	40.2862	82	11.5978
-22	1097.6941	13	172.6881	48	38.7539	83	11.227
-21	1034.7432	14	164.754	49	37.2876	84	10.8697
-20	975.8038	15	157.229	50	35.8842	85	10.5254
-19	920.5962	16	150.0898	51	34.5405	86	10.1935
-18	868.8615	17	143.3144	52	33.2538	87	9.8736
-17	820.3603	18	136.8825	53	32.0214	88	9.5652
-16	774.871	19	130.7749	54	30.8408	89	9.2678
-15	732.1889	20	124.9734	55	29.7096	90	8.9809
-14	692.1238	21	119.4612	56	28.6253	91	8.7042
-13	654.4999	22	114.2223	57	27.586	92	8.4373
-12	619.154	23	109.2417	58	26.5895	93	8.1797
-11	585.9346	24	104.5053	59	25.6338	94	7.9312
-10	554.7016	25	100	60	24.7171	95	7.6912
-9	525.3245	26	95.7132	61	23.8376	96	7.4596
-8	497.6821	27	91.6333	62	22.9937	97	7.236
-7	471.6621	28	87.7492	63	22.1836	98	7.0201
-6	447.1599	29	84.0505	64	21.4061	99	6.8115
-5	424.0781	30	80.5274	65	20.6594	100	6.6101
-4	402.3264	31	77.1707	66	19.9424	101	6.4155
-3	381.8204	32	73.9717	67	19.2537	102	6.2274
-2	362.4818	33	70.9222	68	18.592	103	6.0457
-1	344.2375	34	68.0144	69	17.9562	104	5.8701
0	327.0195	35	65.2411	70	17.3452	105	5.7003
1	310.764	36	62.5954	71	16.7578	106	5.5362
2	295.4121	37	60.0707	72	16.193	107	5.3775
3	280.9084	38	57.661	73	15.6499	108	5.224
4	267.2014	39	55.3604	74	15.1276	109	5.0755

DONGGUAN CITU GUANDE SENSOR TECHNOLOGY .,LTD

XiangYuan Road 7#, Shujiu village, ChangPing Town, Dongguan City, Guangdong Province, China

For more details, contact: sales1@chinagoode.com sales_cai@chinagoode.com